

# MR-HPHD-1B/1C SERIES

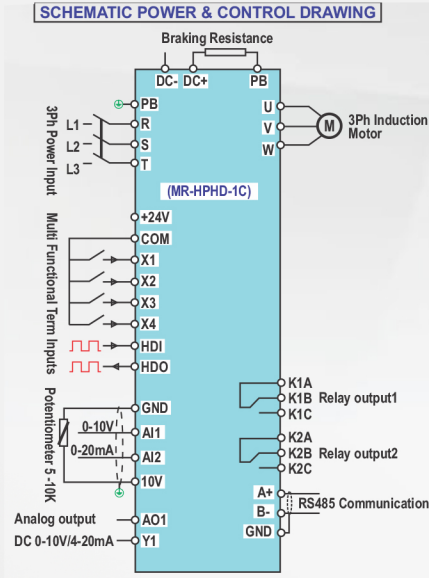
(Open/Close Loop High Performance)

- V/F mode, Open loop vector & Close loop vector
- 150% for 60s & 180% for 3S overload capacity
- 7\*DI & 2\*DO / 2\*AI & 1\*AO / 2\*Relay
- Frequency range: Vector: 0~300Hz, V/F: 0~500Hz
- Detachable keyboard / Support keyboard extension
- 4 group ACC & DEC time
- 2 group motor parameters
- AVR function / Rapid current limit



MR-HPHD-1C available up to 37 kW

MR-HPHD-1B available up to 160 kW



Frequency Converter Model	Rated Power (kW)	Rated Current (A)	Adapted Motor	
			kW	HP
<b>Single phase power supply: 220V, 50Hz/60Hz</b>				
MR-HPHD-1B/1C-D75G1	0.75	4.0	0.75	1
MR-HPHD-1B/1C-1D5G1	1.5	7.0	1.5	2
MR-HPHD-1B/1C-2D2G1	2.2	9.6	2.2	3
<b>Three phase power supply: 380V, 50Hz/60Hz</b>				
MR-HPHD-1B/1C-D75G3	0.75	2.1	0.75	1
MR-HPHD-1B/1C-1D5G3	1.5	3.8	1.5	2
MR-HPHD-1B/1C-2D2G3	2.2	5.1	2.2	3
MR-HPHD-1B/1C-004G3	4	9	4	5.5
MR-HPHD-1B/1C-5D5G3	5.5	13	5.5	7.5
MR-HPHD-1B/1C-7D5G3	7.5	17	7.5	10
MR-HPHD-1B/1C-011G3	11.0	25	11	15
MR-HPHD-1B/1C-015G3	15.0	32	15	20
MR-HPHD-1B/1C-018G3	18.0	37	18	25
MR-HPHD-1B/1C-022G3	22.0	45	22	30
MR-HPHD-1B/1C-030G3	30.0	60	30	40
MR-HPHD-1B/1C-037G3	37.0	75	37	50
MR-HPHD-1B-045G3	45.0	91	45	60
MR-HPHD-1B-055G3	55.0	112	55	70
MR-HPHD-1B-075G3	75.0	150	75	100
MR-HPHD-1B-090G3	90.0	176	90	125
MR-HPHD-1B-110G3	110.0	210	110	150
MR-HPHD-1B-132G3	132.0	253	132	175
MR-HPHD-1B-160G3	160.0	304	160	210